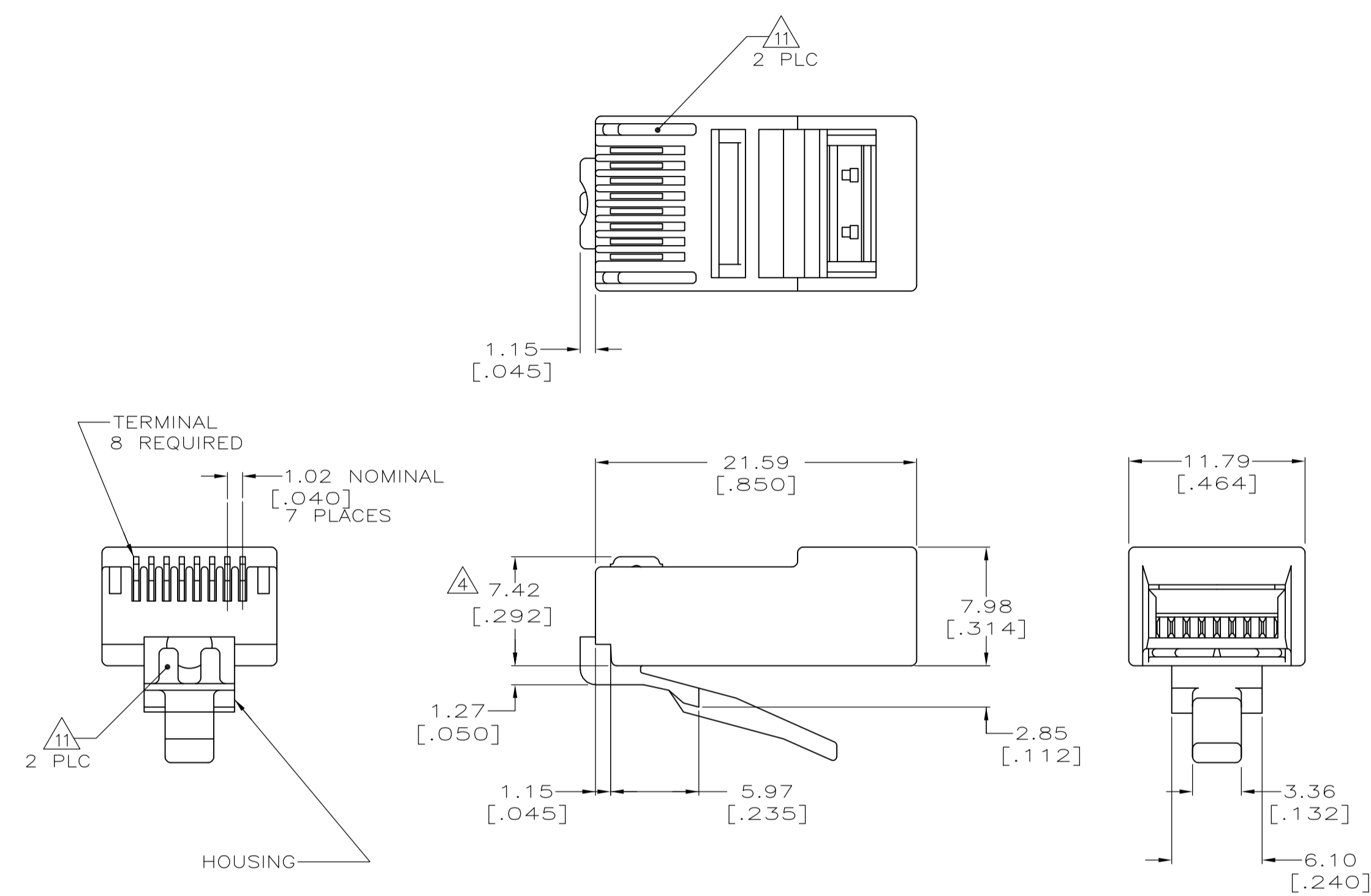


LOC	DIST	REVISIONS					
HM	00	P	LTR	DESCRIPTION	DATE	DWN	APVD
		M		ECO-06-021606	13OCT06	JM	CD
		N		REV ECO-07-029245	19MAR08	LH	BM
		P		REV ECO-08-007212	31MAR08	LH	BM



- 1. DIMENSIONS ARE MAXIMUM UNLESS OTHERWISE SPECIFIED.
- 2. MATERIAL: HOUSING—POLYCARBONATE, CLEAR. TERMINAL—0.36[.014] THICK PHOSPHOR BRONZE PLATED WITH 1.27 μ m[.000050] THICK GOLD IN LOCALIZED GOLD PLATE AREA, GOLD FLASH OVER THE REMAINDER, OVER 2.54 μ m[.000100] THICK NICKEL UNDERPLATE.
- 3. PLUG WILL ACCEPT 26 OR 28 AWG STRANDED WIRE HAVING A MAXIMUM INSULATION DIAMETER OF 0.89–0.99[.035–.039] AND A MAXIMUM OVAL CABLE JACKET OF 2.54 X 8.89[.100 X .350].
- 4. TERMINATED DIMENSION 6.15[.242] MAXIMUM.
- 6. 10,000 ASSEMBLIES PER PACKAGE.
- 7. 500 ASSEMBLIES PER PACKAGE.
- 8. 100 ASSEMBLIES PER PACKAGE.
- 9. 25 ASSEMBLIES PER PACKAGE.

9	5-554739-4
8	5-554739-3
7	5-554739-2
6, 11	5-554739-1
SUPSD BY 5-554739-2	REELED 554739-1
	PACKAGED PART NUMBER

THIS DRAWING IS A CONTROLLED DOCUMENT.		DWN YTP/UTA 8-27-93	Tyco Electronics Tyco Electronics Corporation Harrisburg, PA 17105-3608	
DIMENSIONS: mm [INCHES]		CHK C. WHITT 9-15-93	NAME MODULAR PLUG ASSEMBLY, 8 POSITION, FLAT OVAL CABLE	
TOLERANCES UNLESS OTHERWISE SPECIFIED:		APVD TONEY/MCGRATH 9-20-93	PRODUCT SPEC 108-1163	
0 PLC ± -		APPLICATION SPEC 114-6016		
1 PLC ± -		WEIGHT -		
2 PLC ± -		SIZE A2		
3 PLC ± -		CAGE CODE 00779		
4 PLC ± -		DRAWING NO 554739		
ANGLES ± -		RESTRICTED TO -		
FINISH ± -		CUSTOMER DRAWING		
MATERIAL -		SCALE 4:1 SHEET 1 OF 1 REV P		